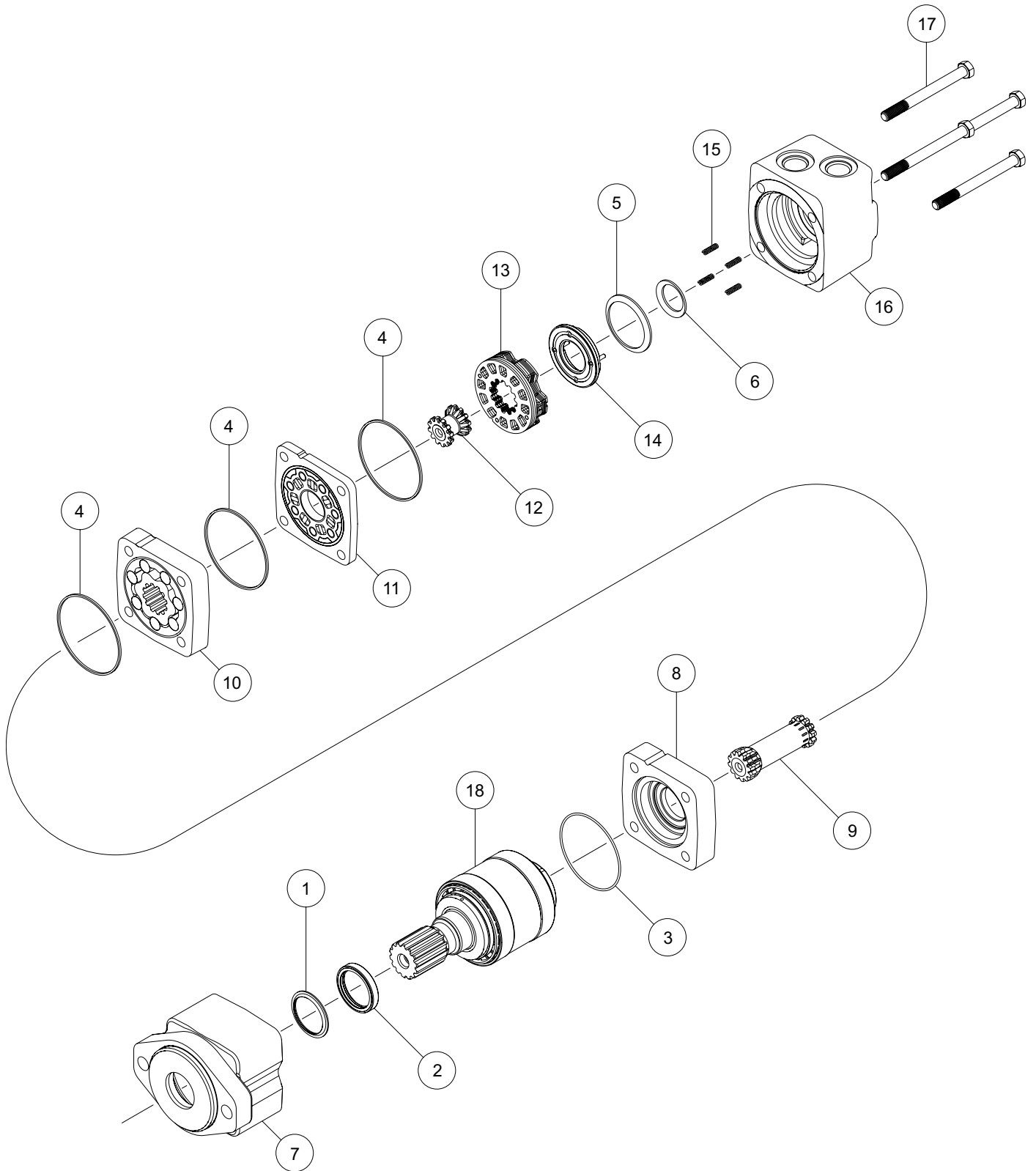


# WS (350) Series



# WS (350) SERIES MOTOR COMPONENTS

## SEAL KIT 355355001

| DESCRIPTION       | EXP. VIEW ITEM # | KIT   |
|-------------------|------------------|---|
| EXCLUDER SEAL     | 1                | ITEMS # 1-6<br>INCLUDED IN<br>SEAL KIT<br>355355001 |
| BUNA SHAFT SEAL   | 2                |   |
| HOUSING SEAL      | 3                |   |
| BODY SEALS (3)    | 4                |   |
| LARGE PISTON SEAL | 5                |   |
| SMALL PISTON SEAL | 6                |   |

## MISCELLANEOUS KITS

| DESCRIPTION                   | EXP. VIEW ITEM # | KIT        |
|-------------------------------|------------------|------------|
| WEAR PLATE                    | 8                | 355012005  |
| MANIFOLD                      | 11               | 350015100  |
| DRIVER                        | 12               | 350014100  |
| COMMUTATOR                    | 13               | 350012107  |
| ENDCOVER PISTON               | 14               | 355018036  |
| PISTON SPRINGS                | 15               | 355018032  |
| 1000 PSI RELIEF VALVE         | NOT SHOWN        | 500018228  |
| 2000 PSI RELIEF VALVE         | NOT SHOWN        | 500018231  |
| 3000 PSI RELIEF VALVE         | NOT SHOWN        | 500018221  |
| M24 X 1.5 SLOTTED HEX NUT     | NOT SHOWN        | 500449306  |
| 1.125-18 UNEF SLOTTED HEX NUT | NOT SHOWN        | 700018038  |
| 1.125-18 UNEF SOLID HEX NUT   | NOT SHOWN        | 700018054  |
| 1.00-20 UNEF SOLID NUT        | NOT SHOWN        | 500449303  |
| 1.00-20 UNEF LOCK NUT         | NOT SHOWN        | 300339303P |
| 1.00-20 UNEF SLOTTED NUT      | NOT SHOWN        | 500449304  |

## ROTORS, DRIVE LINKS AND BOLTS

WHEN CHANGING MOTOR DISPLACEMENTS, A MATCHING ROTOR AND BOLT SET KIT MUST BE ORDERED. A NEW DRIVE LINK KIT MAY BE NECESSARY.

| EXPLODED VIEW ITEM # | 10                 | 9              | 17           |
|----------------------|--------------------|----------------|--------------|
| DISPLACEMENT         | STANDARD ROTOR KIT | DRIVE LINK KIT | BOLT SET KIT |
| 080                  | 350057004          | 355014103      | 300335018    |
| 100                  | 350067004          | 355014103      | 300335018    |
| 110                  | 350077004          | 355014104      | 300334024    |
| 130                  | 350087004          | 355014105      | 300334018L   |
| 160                  | 350107004          | 355014106      | 300335114    |
| 200                  | 350127004          | 355014107      | 300335024    |
| 230                  | 350147004          | 355014108      | 300334024L   |
| 320                  | 350207004          | 355014109      | 355335024    |
| 400                  | 350247004          | 355014109      | 355335024    |
| 500                  | 350317004          | 355014110      | 350335500    |

## HOUSING KITS

(EXPLODED VIEW ITEM #7)

| DESCRIPTION                              | HOUSING KIT |
|--|-------------|
| A0 & A7 2-HOLE SAE A MOUNT               | 350013111   |
| A2 & A8 4-HOLE MAGNETO MOUNT             | 350013114   |
| AG & AH 4-HOLE SQUARE SAE A MOUNT        | 350013118   |
| B0 & B7 2-HOLE SAE B MOUNT               | 350013115   |
| Y2 & Y8 4-HOLE WHEEL MOUNT (4.25" PILOT) | 350013117   |

## SHAFTS AND RELATED COMPONENTS KITS

SHAFT KITS COME WITH ALL RELATED SHAFT COMPONENTS (ie. KEYS, NUTS, BOLTS, WASHERS, ETC.)

TO ORDER INDIVIDUAL SHAFT COMPONENTS (i.e. keys, nuts) USE THE KIT NUMBER FOR EACH INDIVIDUAL PART

| EXPLODED VIEW ITEM # | 18        | NOT SHOWN | NOT SHOWN              |
|----------------------|-----------|-----------|------------------------|
| DESCRIPTION          | SHAFT KIT | KEY KIT   | NUT KIT                |
| #02 6B SPLINE        | 35011002  | ---       | ---                    |
| #10 1" STRAIGHT      | 35011010  | 200229100 | ---                    |
| #12 25MM STRAIGHT    | 35011012  | 355018046 | ---                    |
| #20 1-1/4" STRAIGHT  | 35011020  | 355018038 | SEE MISC.<br>KITS LIST |
| #21 32MM STRAIGHT    | 35011021  | 355018047 | ABOVE                  |
| #22 1-1/4" TAPERED   | 35011022  | 355018039 | ABOVE                  |
| #23 14 TOOTH SPLINE  | 35011023  | ---       | ---                    |
| #28 35MM TAPERED     | 35011028  | 355018048 | ---                    |
| #31 1-1/2" TAPERED   | 35011031  | 500449105 | ---                    |

## ENDCOVER KITS

(EXPLODED VIEW ITEM #16)

ENDCOVER KITS COME ASSEMBLED WITH EXPLODED VIEW ITEMS # 5, 6, 14, & 15.

TO ORDER A RELIEF VALVE FOR THE VALVE CAVITY ENDCOVERS, SEE THE MISCELLANEOUS KITS LISTING ABOVE FOR RELIEF VALVE KIT #S.

| DESCRIPTION                         | STANDARD     | VALVE CAVITY |
|-------------------------------------|--------------|--------------|
|                                     | ENDCOVER KIT | ENDCOVER KIT |
| #1 7/8" O-RING (SIDE PORTS)         | 350160100    | 350160100R   |
| #1 7/8" O-RING (END PORTS)          | 350160103    | ---          |
| #2 1/2" BSP.F (SIDE PORTS)          | 350160118    | 350160118R   |
| #2 1/2" BSP.F (END PORTS)           | 350160122    | ---          |
| #6 1-1/16" O-RING 180° (SIDE PORTS) | 350160106    | ---          |
| #B 1/2" BSP.F (END PORTS)           | 350160146    | ---          |